



Failure to read and strictly comply with the instructions contained in this Instruction Manual may result in serious injury or death.

Falls from a HUNTING BLIND or freestanding platform can occur anytime after leaving the ground. These falls result in either serious injury or death! For your personal safety, please take a moment to carefully read the product instruction manual in its entirety before attempting to assemble, set-up, install and/or otherwise use this product. At least annually, review the contents of this instruction manual. Additionally, keep these instructions for so long as you own the product and pass them on if you transfer this product.



Failure to follow these instructions may result in serious injury or death!

The safe use and operation of this product is the sole responsibility of the user. It is also the sole responsibility of the owner to provide any person(s) who borrows or purchases this product with this instruction manual.

Failure to follow these instructions may result in serious injury or death!



DO NOT for any reason lean on the walls or door. Always use door latch locking pin while occupying blind. **Failure to follow these instructions may result in serious injury or death!**



DO NOT use this or any other HUNTING BLIND product(s) if you have a history of heart problems, back problems, impaired vision, joints that lock-up, spinal fusions, equilibrium problems, high blood pressure, are not well-rested and/or any other physical impairment that may limit your ability to use and/or operate this product in the safe manner outlined in this Instruction Manual. Additionally, **DO**



NOT use this or any other HUNTING BLIND product(s) if you are currently taking medication (including prescription) and/or using and/or consuming any substance, including alcohol, that may limit your ability to use this HUNTING BLIND product as outlined and described in the Instruction Manual. Never use a HUNTING BLIND when feeling ill, nauseous or dizzy. **Failure to follow these instructions may result in serious injury or death**

DO NOT remove, modify and/or omit any portion or otherwise mechanically modify this product(s) or its assemblies in any manner. Modification, misuse and/or part substitution shall immediately void your factory warranty and may result in serious injury or death! If you suspect that a part(s) is missing and/or defective, immediately contact Formex Manufacturing Inc. at 770-962-9816 for replacement of missing or defective parts. Always use genuine factory authorized replacement parts. Use of any replacement parts other than genuine parts voids your warranty and may result in serious injury or death!



This product(s) is designed for adult use only. No one under the age of 16 should attempt to use this or any other product(s) without direct adult supervision. **Failure to follow these instructions may result in serious injury or death!**



DO NOT attempt to use this HUNTING BLIND under adverse weather conditions..

Thoroughly inspect this or any other HUNTING BLIND product(s) prior to each use for signs of wear or any other type of defect. Do not use your HUNTING BLIND or any other product (s) if they show evidence of wear, rot, corrosion, cracks, deterioration and/or any other type of defect. **Failure to follow these instructions may result in serious injury or death.**



DO NOT modify, fix/repair, alter, bend, cut, weld, or heat this product(s) in any way. **Failure to follow these instructions may result in serious injury or death.**



DO NOT attempt to make adjustments to this product while in the blind. All adjustments must be made with the entire blind on the ground. **Failure to follow these instructions may result in serious injury or death.**

Should you have any questions about the assembly, installation or use of this product, or any other product, please do not hesitate to call one of our customer service representatives at 770-962-9816 and they will an-

Product Registration

Product

Purchased: _____ Model Number: _____

Owner's Name: _____

Street Address: _____

City: _____ State: _____ Zip: _____

Email Address: _____

Owner's Age (Optional): _____ Sex (Optional): M F

Date

Purchased: _____

Purchased From (Dealer Name): _____

How Did You Hear About Us: Catalog Webpage Friend Magazine Other

If Other, Please Explain: _____

Are you a: Bow Hunter Gun Hunter Both

A COPY OF THE RECEIPT MUST BE MAILED IN WITH THE PRODUCT REGISTRATION

STANDARD LIMITED WARRANTY

Warranty: Formex® Manufacturing, Inc. warrants all Snap Lock Hunting Blinds by Formex® or accessories to be free from defects in material and workmanship for a period of twelve months from the original date of retail purchase. Formex® Manufacturing, Inc. warrants the enclosed hardware (where applicable) is delivered to be free from physical defects for a period of twelve months from the original date of retail purchase.

Repair Procedures, Exclusive Remedy: Formex® Manufacturing, Inc will at its option, repair, or replace products not conforming to this limited warranty at no charge. THIS IS THE SOLE AND EXCLUSIVE REMEDY AVAILABLE FOR BREACH OF WARRANTY OR UNDER ANY OTHER LEGAL THEORY WITH RESPECT TO SNAP LOCK HUNTING BLINDS BY FORMEX® PRODUCTS. If you find a product to be defective, contact the customer service department at 1 (800) 310-3867. When you receive authorization, return the product as directed at your expense. Product repairs not covered by warranty, and product updates, will be provided at a set rate.

Limitations: This warranty is void if the product is damaged by improper or abnormal use or by accident; if the product is altered or modified in any way other than those directed by official Snap Lock Hunting Blinds by Formex® instructions; or if any attempt is made to repair the product without authorization from Formex® Manufacturing, Inc. It is solely the purchaser's responsibility to determine the suitability of these products for each particular application. Snap Lock Hunting Blinds by Formex® products are intended for hunting and hunting only. Snap Lock Hunting Blinds by Formex® products are in all events not suitable, and are not authorized, for use in any situations that might pose potentially injurious to life and health, other than those situations that the products are intended for. This warranty is not assignable or transferable.

No Other Warranties: EXCEPT AS PROVIDED IN THIS LIMITED WARRANTY SET FORTH IN THE WARRANTY CARD SUPPLIED WITH SNAP LOCK HUNTING BLINDS BY FORMEX® AND INSTRUCTION SHEETS ARE PROVIDED "AS IS". ALL OTHER WARRANTIES AND REPRESENTATIONS, ORAL OR WRITTEN, EXPRESSED OR IMPLIED, INCLUDING BUT NOT LIMITED TO ANY IMPLIED WARRANTIES OF MERCHANTABILITY OR FITNESS FOR A PARTICULAR PURPOSE, ARE EXCLUDED AND DO NOT APPLY. THERE ARE NO WARRANTIES WHICH EXTEND BEYOND THE DESCRIPTION ON THE FACE HERE OF. Except as required by law, no representative, agent or employee of Formex® Manufacturing, Inc. is authorized to make warranties, representations, or obligations inconsistent with or in addition to those set forth in this limited warranty.

No Damages: IN NO EVENT WILL FORMEX® MANUFACTURING, INC. BE LIABLE FOR DIRECT, INDIRECT, SPECIAL, INCIDENTAL, OR CONSEQUENTIAL DAMAGES RESULTING FROM BREACH OF WARRANTY OR UNDER ANY OTHER LEGAL THEORY, even if advised of the possibility of such damages. In no event will Formex® Manufacturing, Inc. be liable for sums in excess of the purchase price of the product. Formex® Manufacturing, Inc. is thus not liable for lost profits or goodwill; downtime; damage or destruction of items or equipment used with, or in conjunction with, Formex® Manufacturing, Inc. ; personal injury or loss; or any other damages.

General: This agreement is the entire agreement between you and Formex® Manufacturing, Inc.; super cedes any prior or different agreements, representations, or proposals; and may be changed only by written agreement with Formex® Manufacturing, Inc. (b) Waiver by any party of any default or breach of this agreement will not constitute a waiver of any subsequent default or breach of the same or different kind. (c) The invalidity of any provision of this agreement shall not affect the validity of the other provisions hereof. (d) This agreement shall be governed by the laws of the State of Georgia, U.S.A.

Formex® Manufacturing, Inc., 601 Hurricane Shoals Road NW, Lawrenceville, GA 30046

READ THIS MANUAL IN ITS ENTIRETY PRIOR TO USING THIS PRODUCT



Assembly Instructions

Note: Snap Lock Hunting Blinds uses a pin (see fig 1) and socket (see fig 2) system to adjoin the panels. To assemble correctly, the pin is inserted into the *non-recessed* side of the socket (see fig 3). When assembled, **the logo on each panel will face to the outside of the blind.**

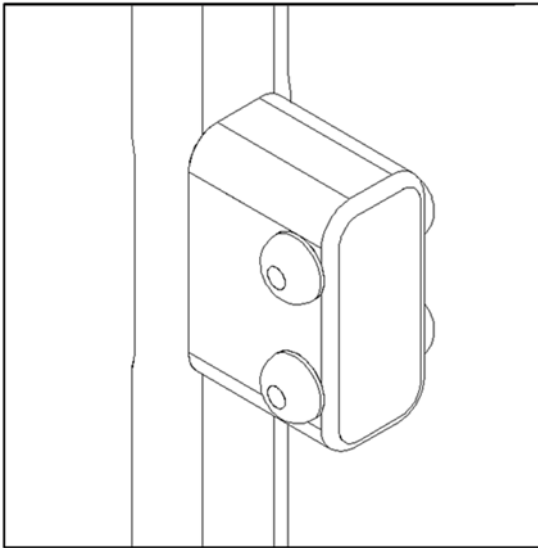


Fig 1 – Pin

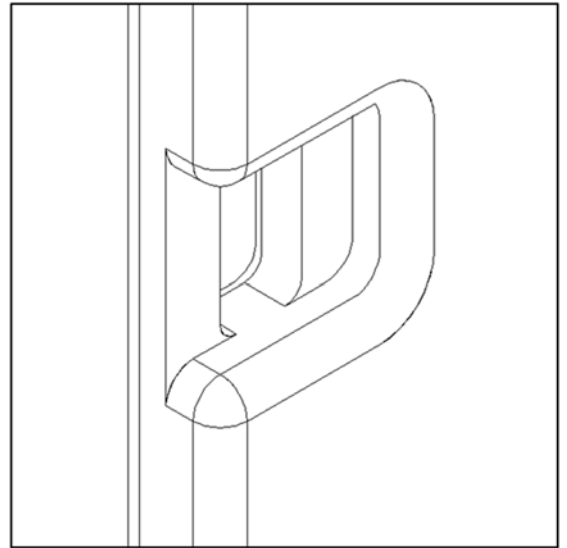


Fig 2 –Socket

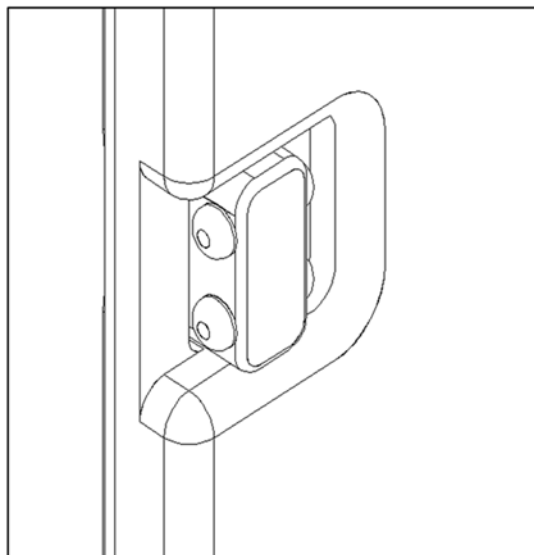
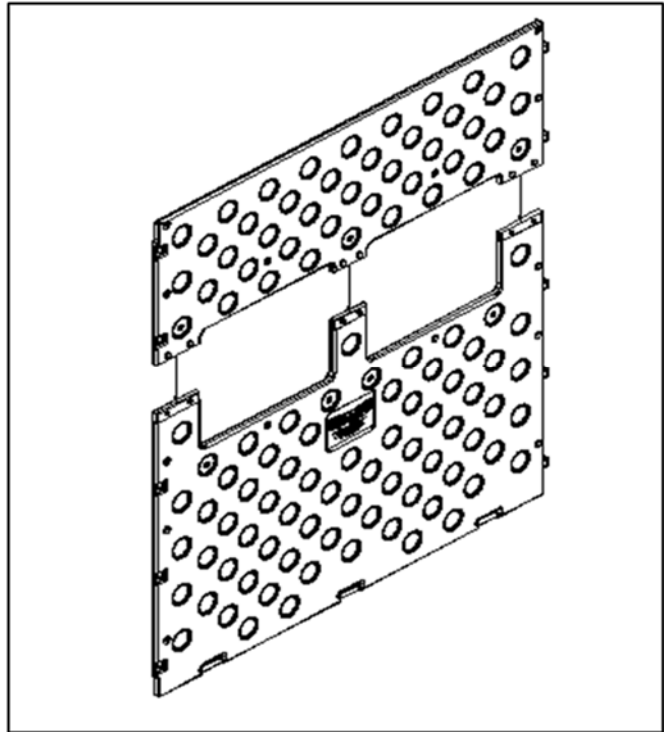


Fig 3 – Assembled Pin & Socket

Step 1. If assembling 4x6 model, join top section of long side wall to bottom section keeping pins (see fig 1) on each section to the same end (see fig 4). Push down on upper panel until it locks into lower panel. Repeat for second long, side wall.

Fig 4 – 6 ft. panel assembly



Step 2. Join the first two wall panels by aligning the five pins of one panel to the five sockets of another and press to snap panels together (see fig 5). Repeat to adjoin all four wall panels of Blind (see fig 6).

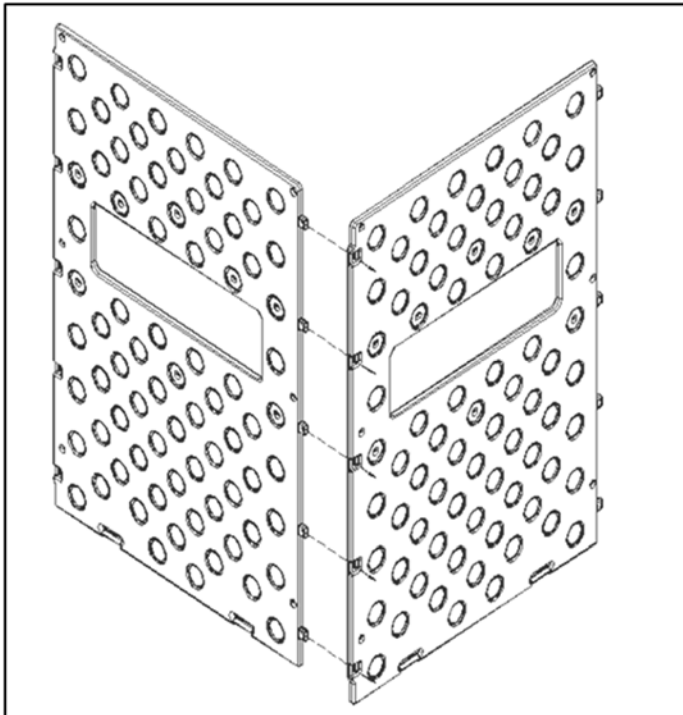


Fig 5– Align & Snap together panels

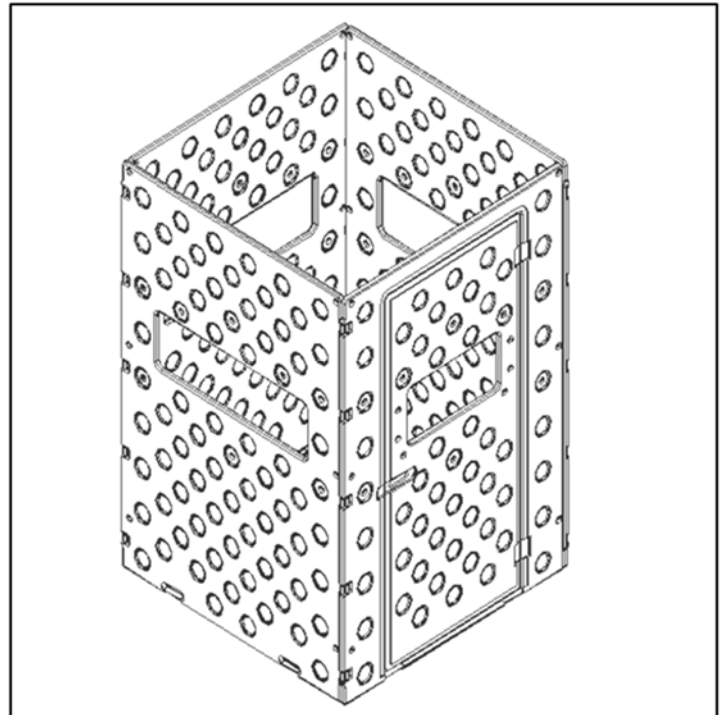


Fig6 – Assembled Panels

Step 3. Place roof panel on assembled wall panels (see fig 7) and secure the roof panel to wall panels in all four corners using provided cable ties (see fig 8).

ROOF PANEL MUST BE INSTALLED OR SERIOUS INJURY MAY OCCUR.

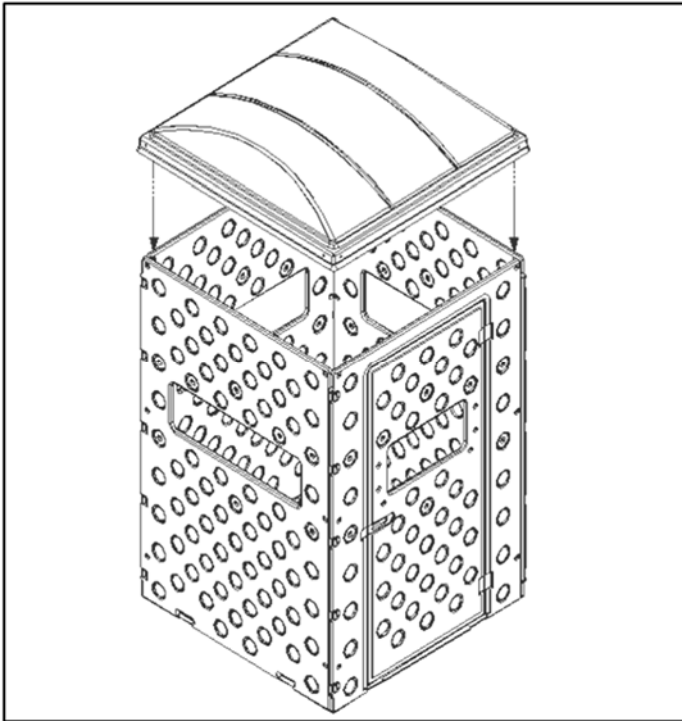


Fig7 – Install Roof Panel

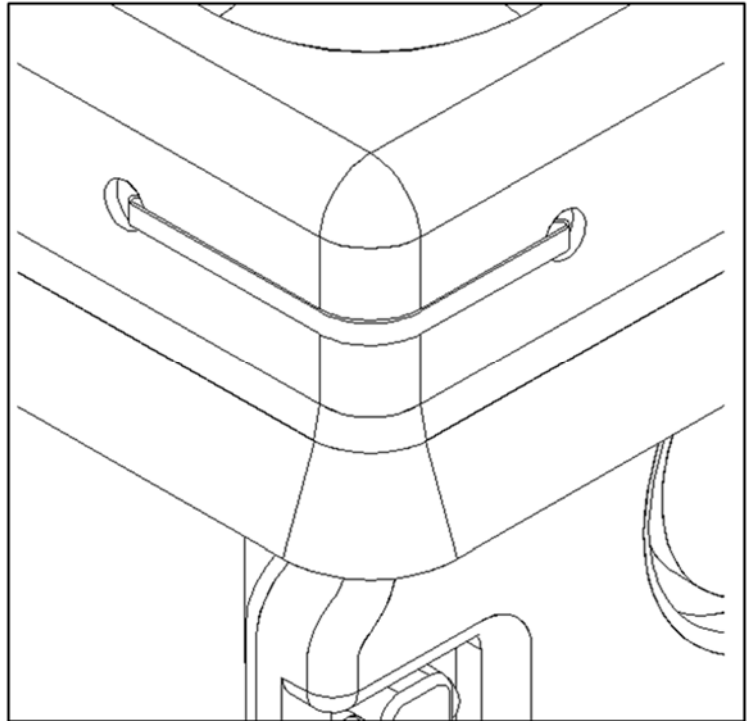
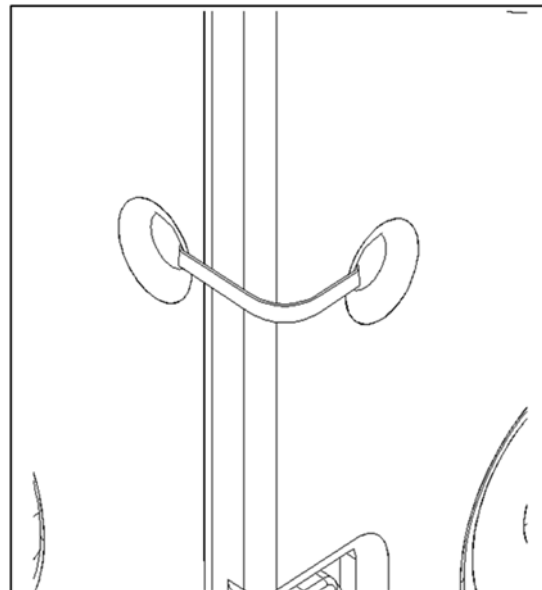


Fig 8– Roof Cable Tie

Step 4. Insert additional cables ties through holes in corners of adjoined wall panels (2 per corner, one near bottom & one near middle) (see fig 9).

Fig 9 – Side Cable Tie



Check cable ties a minimum of 6 times per year. Replace worn or brittle ties as needed. **Failure to follow these instructions may result in serious injury or death!**

Step 5. Use the platform straps to attach blind to platform or tower (see fig 10 & 11). Use bolts, Washers and locknuts or deck screws with finishing washer to prevent fasteners from pulling through strap. Platform straps may be rotated to fasten blind to floor or to side of platform. For best door operation, insert door latch locking pin to keep door square in frame while attaching assembled blind to platform.

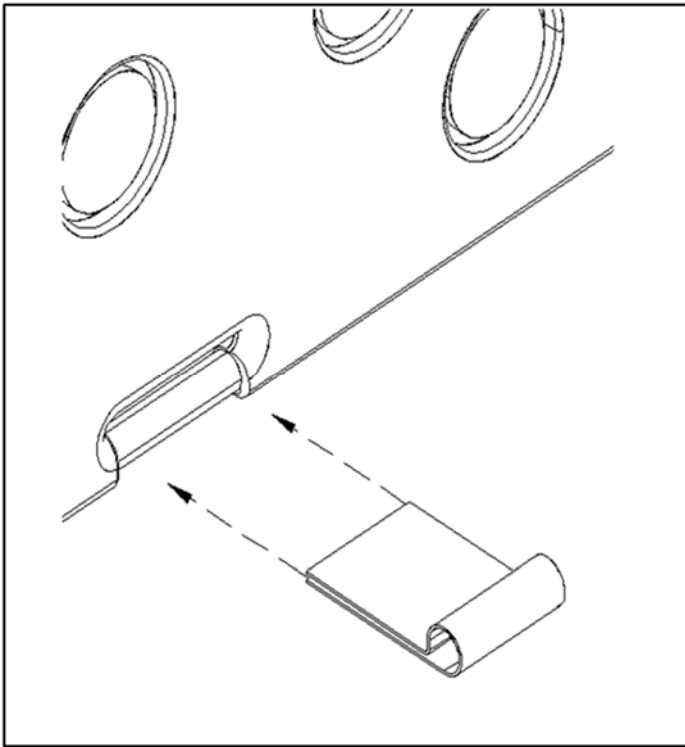


Fig 10 – Install Platform Attachment Straps

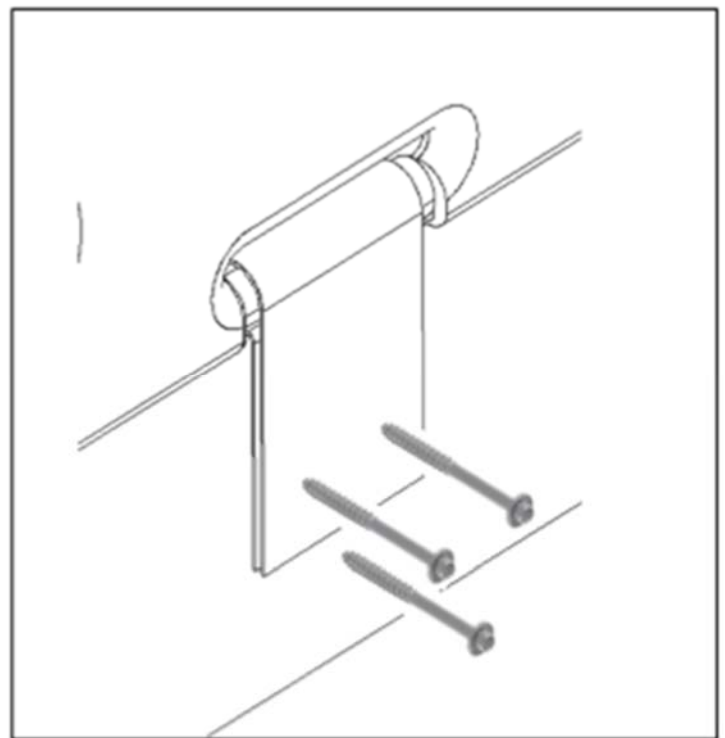


Fig 11 — Fasten Blind to Platform using bolts washer and locknuts or deck screws with washers.



If you are elevating your platform please use only architectural approved designs. **Never lean or push on walls. Failure to follow these instructions may result in serious injury or death!**



Window Kit Assembly Instructions

- Step 1.** Attach the knob on the inside face of the panel (the side with no logo), through the predrilled hole located just below and to the center of the window opening with the pan head screw. (see fig 1).
- Step 2.** Facing the outside of the panel (the side with the logo), hold the window with the tabs at the top, the long cord facing up and the short loop at bottom facing down. Gently bend the window enough to insert the tabs on the window into the two holes located on each side of the window opening (see fig 2).
- Step 3.** With the window inserted, insert the long cord through the predrilled hole located over and center of the window (see fig 2). From the inside of the panel, attach the ball stop to the end of the cord. Adjusting the ball stop along the cord will allow you to adjust the extent of the opened window. The lower inside loop and knob allow you to secure the window in the closed position.

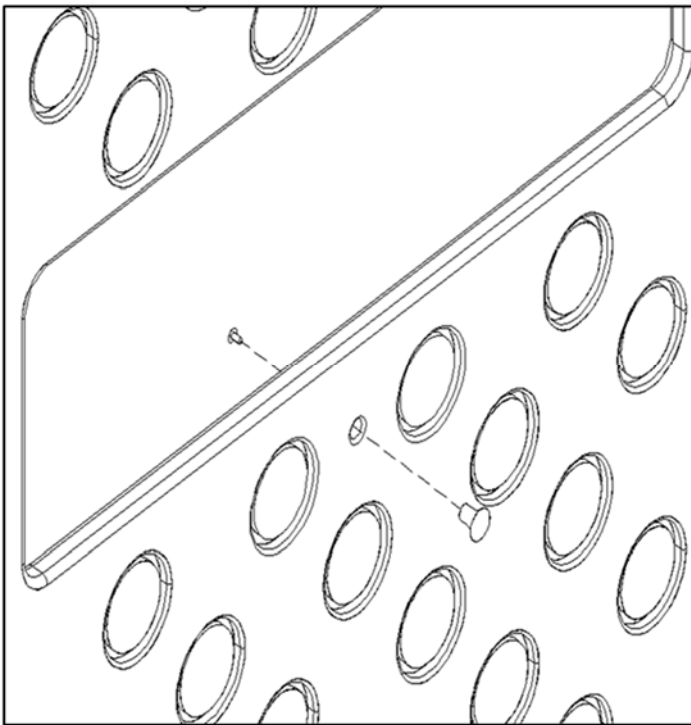


Fig 1 – Attach knob

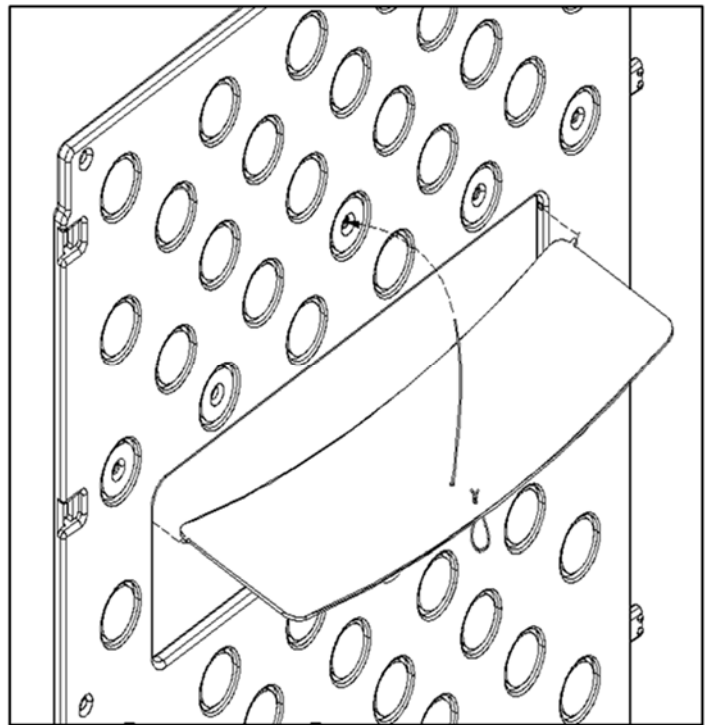


Fig 2 – Insert Window